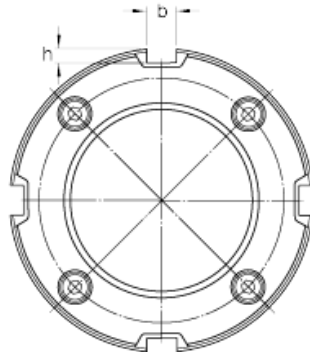
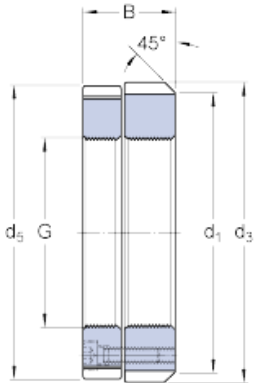




NTN bearing de Mexico, S.A.



skf KMD 9 Precision lock nuts with axial locking screws, Precision lock nuts

Bearing No. KMD 9

G	M 45x1.5
d ₁	66.5 mm
B	22 mm
d ₃	71.5 mm
d ₅	70.5 mm
b	7 mm
h	3 mm
Mass	0.36 kg
Associated spanner (Hook spanner in accordance with DIN 1810)	HN 10-11
Grub (set) / Locking screw size	M 4
Recommended tightening torque	4.2 N · m

KMD 9 Bearing 2D drawings and 3D CAD models