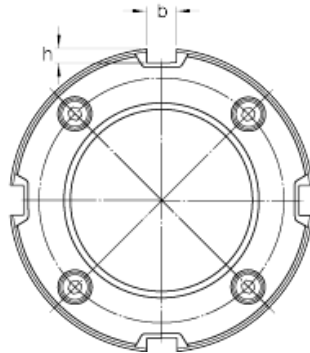
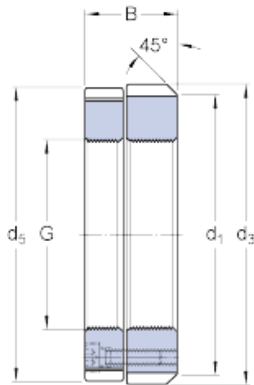




NTN bearing de Mexico, S.A.



skf KMD 6 Precision lock nuts with axial locking screws, Precision lock nuts

Bearing No. KMD 6

G	M 30x1.5
d ₁	48 mm
B	20 mm
d ₃	50 mm
d ₅	49 mm
b	5 mm
h	2 mm
Mass	0.2 kg
Associated spanner (Hook spanner in accordance with DIN 1810)	HN 5-6
Grub (set) / Locking screw size	M 4
Recommended tightening torque	4.2 N · m

KMD 6 Bearing 2D drawings and 3D CAD models