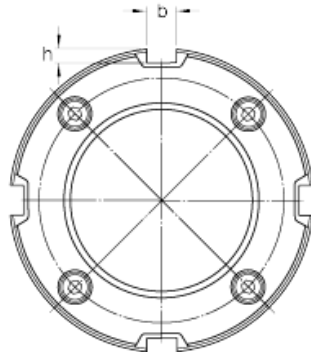
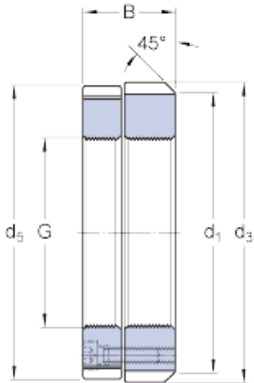




NTN bearing de Mexico, S.A.



skf KMD 13 Precision lock nuts with axial locking screws, Precision lock nuts

Bearing No. KMD 13

G	M 65x2
d ₁	85 mm
B	28 mm
d ₃	90 mm
d ₅	89 mm
b	8 mm
h	3.5 mm
Mass	0.63 kg
Associated spanner (Hook spanner in accordance with DIN 1810)	HN 14
Grub (set) / Locking screw size	M 5
Recommended tightening torque	8.4 N · m

KMD 13 Bearing 2D drawings and 3D CAD models