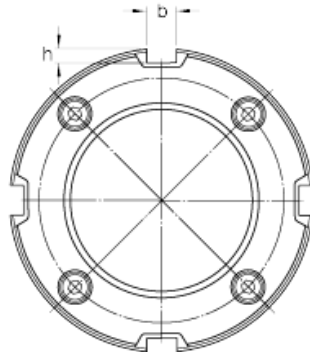
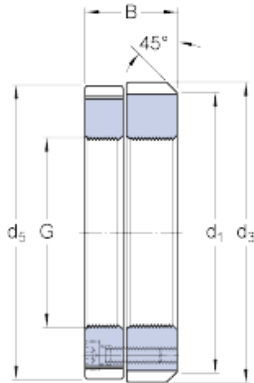




NTN bearing de Mexico, S.A.



skf KMD 21 Precision lock nuts with axial locking screws, Precision lock nuts

Bearing No. KMD 21

G	M 105x2
d ₁	130 mm
B	32 mm
d ₃	135 mm
d ₅	134 mm
b	10 mm
h	4 mm
Mass	1.35 kg
Associated spanner (Hook spanner in accordance with DIN 1810)	HN 18-20
Grub (set) / Locking screw size	M 6
Recommended tightening torque	14.2 N · m

KMD 21 Bearing 2D drawings and 3D CAD models