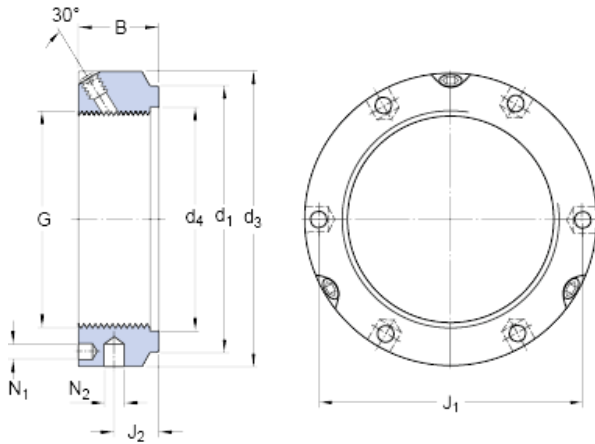




## NTN bearing de Mexico, S.A.



skf KMTA 26 Precision lock nuts with axial locking screws, Precision lock nuts

Bearing No. KMTA 26

KMTA 26 Bearing 2D drawings and 3D CAD models

G	M 130x3
d <sub>1</sub>	156 mm
B	32 mm
d <sub>3</sub>	165 mm
d <sub>4</sub>	132 mm
J <sub>1</sub>	153 mm
J <sub>2</sub>	17 mm
N <sub>1</sub>	6.4 mm
N <sub>2</sub>	8 mm
Axial static load carrying capacity	920 kN
Mass	2 kg
Associated spanner (Hook spanner in accordance with DIN 1810)	B 155-165
Grub (set) / Locking screw size	M 10
Recommended tightening torque	35 N · m