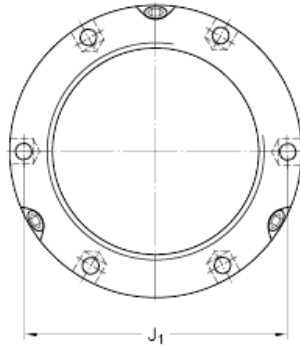
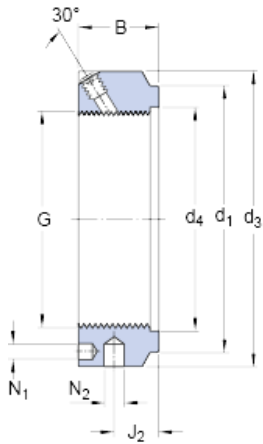




NTN bearing de Mexico, S.A.



skf KMTA 28 Precision lock nuts with axial locking screws, Precision lock nuts

Bearing No. KMTA 28

KMTA 28 Bearing 2D drawings and 3D CAD models

G	M 140x3
d ₁	166 mm
B	32 mm
d ₃	180 mm
d ₄	142 mm
J ₁	165 mm
J ₂	17 mm
N ₁	6.4 mm
N ₂	10 mm
Axial static load carrying capacity	980 kN
Mass	2.45 kg
Associated spanner (Hook spanner in accordance with DIN 1810)	B 180-195
Grub (set) / Locking screw size	M 10
Recommended tightening torque	35 N · m