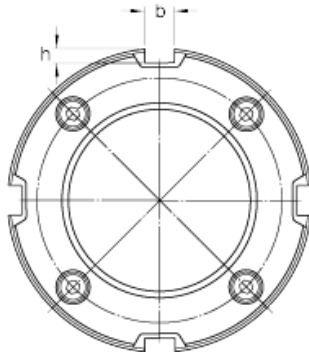
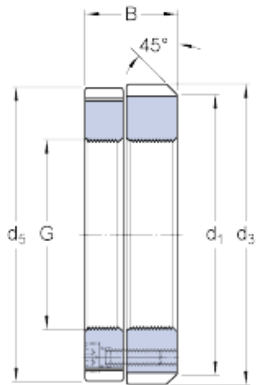




NTN bearing de Mexico, S.A.



skf KMD 11 P Precision lock nuts with axial locking screws, Precision lock nuts

Bearing No. KMD 11 P

G	M 55x2
d ₁	75 mm
B	25 mm
d ₃	80 mm
d ₅	79 mm
b	7 mm
h	3 mm
Mass	0.46 kg
Associated spanner (Hook spanner in accordance with DIN 1810)	HN 12-13
Grub (set) / Locking screw size	M 4
Recommended tightening torque	4.2 N · m

KMD 11 P Bearing 2D drawings and 3D CAD models