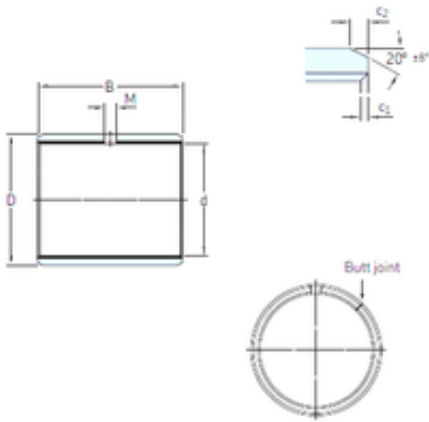




NTN bearing de Mexico, S.A.

115 mm x 120 mm x 70 mm skf PCM 11512070
E Plain bearings, Bushings



Bearing No. PCM 11512070 E

Size	115x120x70 mm
Bore Diameter	115 mm
Outer Diameter	120 mm
Width	70 mm
d	115 mm
D	120 mm
B	70 mm
c1 min	0,2 mm
c2 min	1,2 mm
M	– mm
Weight	0,48 Kg
Basic dynamic load rating (C)	630 kN
c ₁ min.	0.2 mm
c ₁ max.	1 mm
c ₂ min.	1.2 mm
c ₂ max.	2.4 mm
± 8	20 °
Tolerance shaft	h8
Tolerance housing	H7
Basic dynamic load rating - radial direction C	630 kN
Basic static load rating - radial direction C ₀	1960 kN
Specific dynamic load factor K	80 N/mm ²
Specific static load factor K ₀	250 N/mm ²

PCM 11512070 E Bearing 2D drawings and 3D CAD models



NTN bearing de Mexico, S.A.

Factor depending on material and bearing type K_M	480
Permissible sliding velocity v min.	0 m/s
Permissible sliding velocity v max.	2 m/s
Coefficient of friction μ min.	0.03
Coefficient of friction μ max.	0.25
Mass bushing	0.48 kg