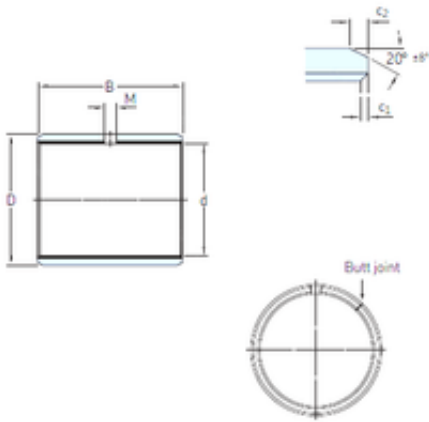




NTN bearing de Mexico, S.A.



100 mm x 105 mm x 115 mm skf PCM
100105115 M Plain bearings, Bushings

Bearing No. PCM 100105115 M

PCM 100105115 M Bearing 2D drawings and 3D CAD models

Size	100x105x115 mm
Bore Diameter	100 mm
Outer Diameter	105 mm
Width	115 mm
d	100 mm
D	105 mm
B	115 mm
c1 min	0,2 mm
c2 min	1,2 mm
M	6 mm
Weight	0,64 Kg
Basic dynamic load rating (C)	1 370 kN
Category	Bearings
Inventory	0.0
Manufacturer Name	SKF
Minimum Buy Quantity	N/A
UNSPSC	31171515
Weight / Kilogram	0.67
Product Group	B04264
c ₁ min.	0.2 mm
c ₁ max.	1 mm
c ₂ min.	1.2 mm
c ₂ max.	2.4 mm
± 8	20 °
Tolerance shaft	h8



NTN bearing de Mexico, S.A.

Tolerance housing	H7
Basic dynamic load rating - radial direction C	1370 kN
Basic static load rating - radial direction C_0	2850 kN
Specific dynamic load factor K	120 N/mm ²
Specific static load factor K_0	250 N/mm ²
Factor depending on material and bearing type K_M	1900
Permissible sliding velocity v min.	0 m/s
Permissible sliding velocity v max.	2.5 m/s
Coefficient of friction μ min.	0.02
Coefficient of friction μ max.	0.2
Mass bushing	0.64 kg