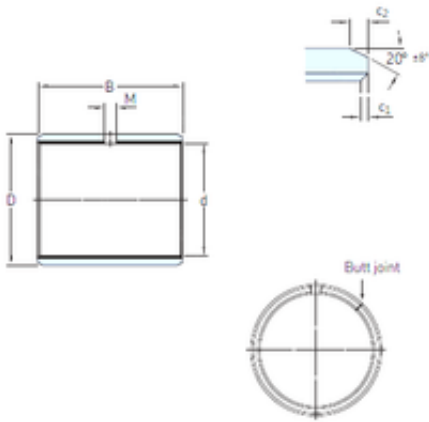




## NTN bearing de Mexico, S.A.

### 6 mm x 8 mm x 6 mm skf PCM 060806 E Plain bearings, Bushings



Bearing No. PCM 060806 E

Size	6x8x6 mm
Bore Diameter	6 mm
Outer Diameter	8 mm
Width	6 mm
d	6 mm
D	8 mm
B	6 mm
c1 min	0,1 mm
c2 min	0,2 mm
M	– mm
Weight	0,001 Kg
Basic dynamic load rating (C)	2,9 kN
c <sub>1</sub> min.	0.1 mm
c <sub>1</sub> max.	0.6 mm
c <sub>2</sub> min.	0.2 mm
c <sub>2</sub> max.	1 mm
± 8	20 °
Tolerance shaft	f7
Tolerance housing	H7
Basic dynamic load rating - radial direction C	2.9 kN
Basic static load rating - radial direction C <sub>0</sub>	9 kN
Specific dynamic load factor K	80 N/mm <sup>2</sup>
Specific static load factor K <sub>0</sub>	250 N/mm <sup>2</sup>

PCM 060806 E Bearing 2D drawings and 3D CAD models



## NTN bearing de Mexico, S.A.

Factor depending on material and bearing type $K_M$	480
Permissible sliding velocity $v$ min.	0 m/s
Permissible sliding velocity $v$ max.	2 m/s
Coefficient of friction $\mu$ min.	0.03
Coefficient of friction $\mu$ max.	0.25
Mass bushing	0.001 kg